

115 & 230 VAC, 1 Phase, 50/60 Hz.

MAR

Model	Output Torque Inch Pounds (N.m)	Type	Speed of Operation 60 Hz. (50 Hz.)	Duty Cycle Rating 115 Vac, 1Ph., 50/60 Hz.	Duty Cycle Rating 230 Vac, 1Ph., 50/60 Hz.	Current Ratings 115 VAC		Current Ratings 230 VAC	
						N.L.A.*	L.R.A.*	N.L.A.*	L.R.A.*
MAR10-2	120 (13.5)	Part Turn	2 seconds/90° (2.5 seconds/90°)	50% (1)	50% (1)	0.40	0.60	0.30	0.40
MAR10-2MT	120 (13.5)	Multi-Turn	7.5 RPM (6.2 RPM)	50% (2)	50% (2)	0.40	0.60	0.20	0.25
MAR10-10	350 (40)	Part Turn	10 seconds/90° (12 seconds/90°)	50% (1)	50% (1)	0.40	0.60	0.20	0.25
MAR10-30	425 (48)	Part Turn	30 seconds/90° (35 seconds/90°)	50% (2)	50% (2)	0.30	0.50	0.20	0.25
MAR10-60	400 (45)	Part Turn	60 seconds/90° (70 seconds/90°)	50% (2)	50% (2)	0.35	0.55	0.20	0.25
MAR50-2	600 (67)	Part Turn	2 seconds/90° (2.5 seconds/90°)	40% (1)	50% (1)	1.60	2.20	0.50	0.95
MAR50-2MT	600 (67)	Multi-Turn	7.5 RPM (6.2 RPM)	40% (2)	50% (2)	1.60	2.20	0.50	0.95
MAR50-10	600 (67)	Part Turn	10 seconds/90° (12 seconds/90°)	50% (1)	50% (1)	0.50	0.80	0.30	0.50
MAR50-30	700 (79)	Part Turn	30 seconds/90° (35 seconds/90°)	50% (2)	50% (2)	0.35	0.55	0.20	0.25
MAR50-60	600 (67)	Part Turn	60 seconds/90° (70 seconds/90°)	50% (2)	50% (2)	0.30	0.50	0.20	0.25
MAR90-5	1,000 (112)	Part Turn	5 seconds/90° (6 seconds/90°)	50% (1)	50% (1)	0.55	1.55	0.25	0.85
MAR90-5MT	1,000 (112)	Multi-Turn	3 RPM (2.5 RPM)	50% (2)	50% (2)	0.55	1.55	0.25	0.85
MAR90-15	1,000 (112)	Part Turn	15 seconds/90° (17.5 seconds/90°)	75% (2)	50% (2)	0.50	0.60	0.20	0.35

* (N.L.A.) — No Load Ampere (L.R.A.) — Locked Rotor Ampere (1) — Open/Close Service (2) — Open/Close or Modulating Service

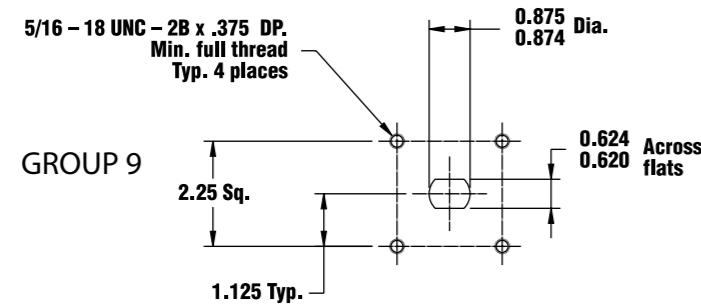


115 & 230 VAC, 1 Phase, 50/60 Hz.

MAR

Model	Output Torque Inch Pounds (N.m)	Type	Speed of Operation 60 Hz. (50 Hz.)	Duty Cycle Rating 115 Vac, 1Ph., 50/60 Hz.	Duty Cycle Rating 230 Vac, 1Ph., 50/60 Hz.	Current Ratings 115 VAC		Current Ratings 230 VAC	
						N.L.A.*	L.R.A.*	N.L.A.*	L.R.A.*
MAR100-16	1,500 (169)	Part Turn	16 seconds/90° (19 seconds/90°)	100% (2)	50% (2)	.55	1.55	.25	.85
MAR100-30	1,800 (203)	Part Turn	30 seconds/90° (35 seconds/90°)	100% (2)	50% (2)	.50	.60	.30	.35
MAR100-60	2,500 (282)	Part Turn	60 seconds/90° (70 seconds/90°)	100% (2)	50% (2)	.35	.55	.20	.35
MAR120-1.25	1,500 (169)	Part Turn	1.25 seconds/90° (2 seconds/90°)	25% (1)	25% (1)	3.30	7.40	1.30	3.60
MAR120-1.25 MT	1,500 (169)	Multi-Turn	12 RPM (10 RPM)	25% (2)	25% (2)	3.30	7.40	1.30	3.60
MAR160-8	1,920 (217)	Part Turn	8 seconds/90° (9 seconds/90°)	50% (1)	50% (1)	.75	1.65	.70	1.05
MAR160-16	2,000 (226)	Part Turn	16 seconds/90° (19 seconds/90°)	75% (2)	50% (2)	.60	1.60	.35	.90
MAR160-30	2,500 (282)	Part Turn	30 seconds/90° (35 seconds/90°)	75% (2)	50% (2)	.65	.70	.45	.50
MAR160-60	2,800 (316)	Part Turn	60 seconds/90° (70 seconds/90°)	100% (2)	50% (2)	.50	.60	.30	.35
MAR250-3	3,500 (395)	Part Turn	3 seconds/90° (4 seconds/90°)	25% (1)	50% (1)	3.30	7.40	.90	3.40
MAR250-3MT	3,500 (395)	Multi-Turn	5 RPM (4 RPM)	25% (2)	50% (2)	3.30	7.40	.90	3.40
MAR250-8	3,000 (339)	Part Turn	8 seconds/90° (9 seconds/90°)	40% (1)	50% (1)	1.60	2.20	1.00	1.25
MAR250-16	4,000 (452)	Part Turn	16 seconds/90° (19 seconds/90°)	50% (2)	50% (2)	1.10	1.80	.70	1.05
MAR250-30	5,000 (565)	Part Turn	30 seconds/90° (35 seconds/90°)	50% (2)	50% (2)	.75	1.65	.50	.95
MAR250-60	5,000 (565)	Part Turn	60 seconds/90° (70 seconds/90°)	75% (2)	50% (2)	.65	.70	.30	.35
MAR800-12	7,500 (847)	Part Turn	12 seconds/90° (14 seconds/90°)	25% (1)	25% (1)	3.30	7.40	.90	3.40
MAR800-30	10,000 (1,130)	Part Turn	30 seconds/90° (35 seconds/90°)	40% (2)	50% (2)	1.60	2.20	1.00	1.20
MAR800-60	10,000 (1,130)	Part Turn	60 seconds/90° (70 seconds/90°)	75% (2)	50% (2)	.55	1.55	.50	.95
MAR1600-70	21,000 (2,373)	Part Turn	70 seconds/90° (82 seconds/90°)	25% (2)	50% (2)	3.30	7.40	.90	3.40
MAR 4000-170	48,000 (5,424)	Part Turn	170 seconds/90° (200 seconds/90°)	25% (2)	50% (2)	3.30	7.40	.90	3.40

Mounting Geometry — Bottom View



Mounting Geometry — Bottom View

